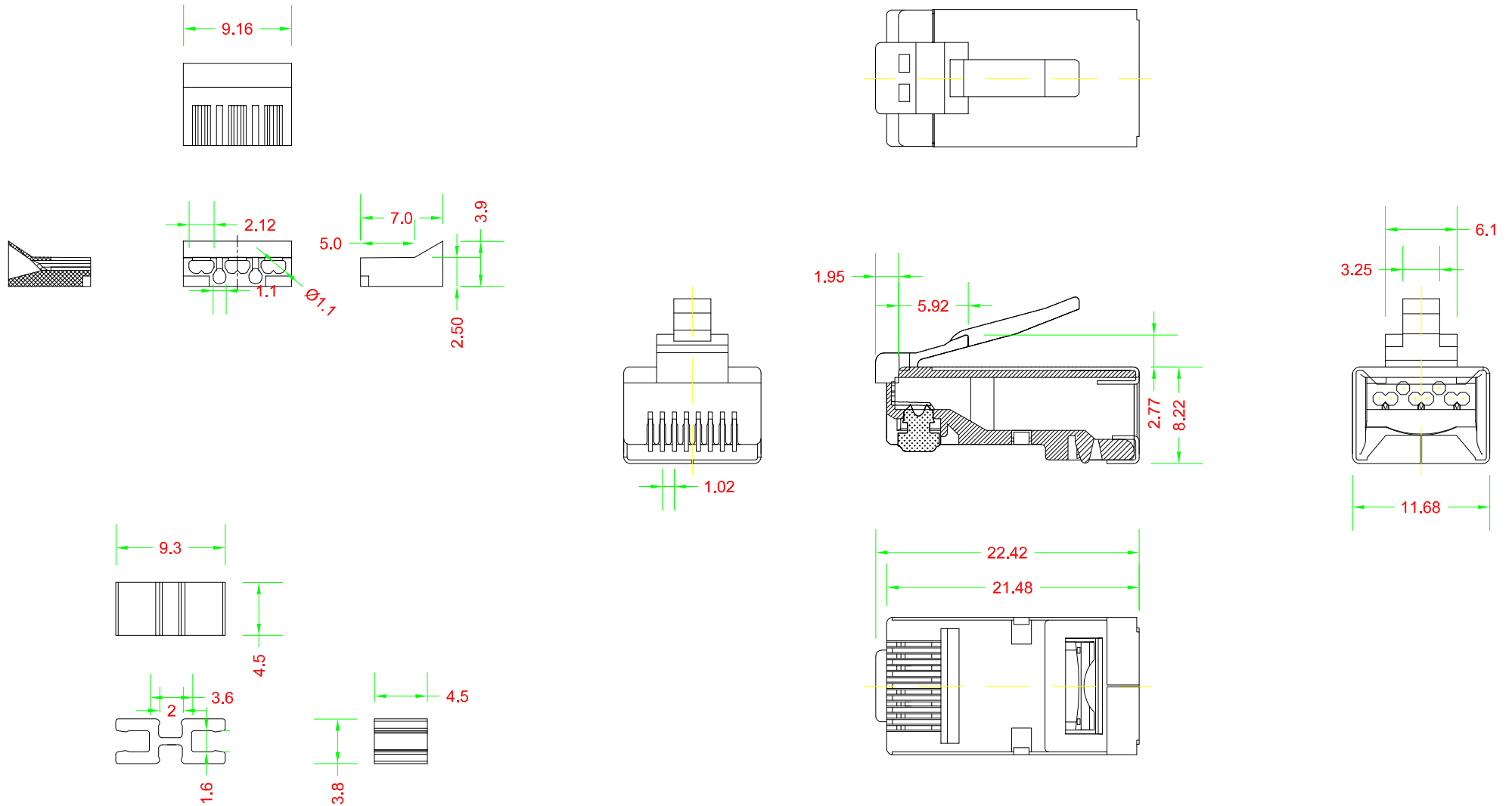


# Plug

(FOR CAT.6A STP)



1. Housing Material : Polycarbonate, UL 94V2
2. Shield Material : Brass with nickel plating
3. Gold Plating : 50 micro inches gold plated

DRAW NO:		ITEM NO:	GP-S28850BE3.92LV2Z-53
	APPR	CUSTOMER:	
UNIT: m/m	DESIGN	DATE:	
SCALE:	Ref. NO:	TOLERANCE:	X ± 1 · X ± 0.2 · XX ± 0.15

**EPN** EPNEW ELECTRONICS CO.,LTD.